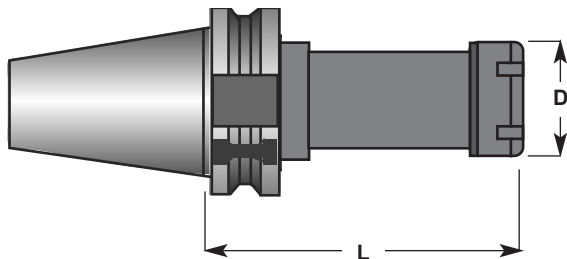


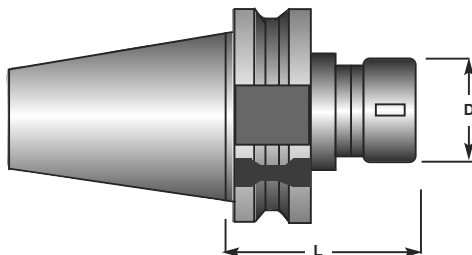
DIN69871/A ER Collet Chucks - Standard Gauge Length

CODE	D	L
DV40-ER16-070M	28.0 Hex (25.0 A/F)	70.0
DV40-ER20-070M	34.0 Hex 930.0 A/F)	70.0
DV40-ER25-070M	42.0 Dia	70.0
DV40-ER32-070M	50.0 Dia	70.0
DV40-ER40-080M	63.0 Dia	80.0
DV50-ER16-100M	28.0 Hex (25.0 A/F)	100.0
DV50-ER25-070M	42.0 Dia	70.0
DV50-ER32-070M	50.0 Dia	70.0
DV50-ER40-080M	63.0 Dia	80.0

DIN69871/A ER Collet Chucks Extended Gauge Length

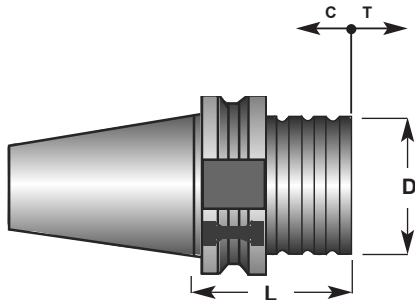


CODE	D	L
DV40-ER16-100M	28.0 Hex (25.0 A/F)	100.0
DV40-ER16-120M	28.0 Hex (25.0 A/F)	120.0
DV40-ER16-160M	28.0 Hex (25.0 A/F)	160.0
DV40-ER16-200M	28.0 Hex (25.0 A/F)	200.0
DV40-ER25-100M	42.0 Dia	100.0
DV40-ER25-120M	42.0 Dia	120.0
DV40-ER25-160M	42.0 Dia	160.0
DV40-ER32-100M	50.0 Dia	100.0
DV40-ER32-120M	50.0 Dia	120.0
DV40-ER32-160M	50.0 Dia	160.0
DV40-ER32-200M	50.0 Dia	200.0
DV40-ER40-120M	63.0 Dia	120.0
DV40-ER40-160M	63.0 Dia	160.0
DV40-ER40-200M	63.0 Dia	200.0
DV50-ER16-150M	28.0 Hex (25.0 A/F)	150.0
DV50-ER16-200M	28.0 Hex (25.0 A/F)	200.0
DV50-ER25-100M	42.0 Dia	100.0
DV50-ER25-150M	42.0 Dia	150.0
DV50-ER32-100M	50.0 Dia	100.0
DV50-ER32-160M	50.0 Dia	160.0
DV50-ER32-200M	50.0 Dia	200.0
DV50-ER40-100M	63.0 Dia	100.0
DV50-ER40-160M	63.0 Dia	160.0



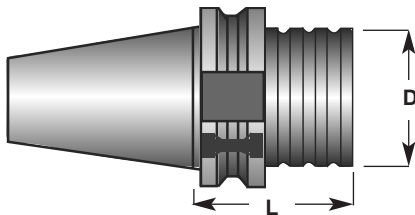
DIN69871/A (Double Angled) Collet Chucks

CODE	Collet	D	L
DV40-DA188-070M	DA180	43.0 Dia	70.0
DV40-DA188-100M	DA180	43.0 Dia	100.0
DV40-DA208-070M	DA200	28.0 Hex (24.0 A/F)	70.0



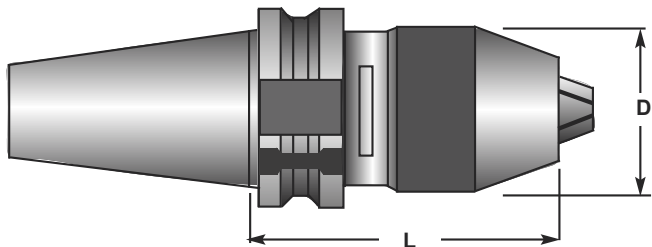
DIN69871/A Bilz Type Tap Heads (Tension & Compression)

CODE	Collet	Range	D	L	C	T
DV40-TB1-059M	RC1/RS1	M3 - M12	36.0	59.0	7.5	7.5
DV40-TB2-098M	RC2/RS2	M8 - M20	53.0	98.0	12.5	12.5
DV40-TB3-169M	RC3/RS3	M14 - M33	78.0	169.0	20.0	20.0
DV50-TB1-074M	RC1/RS1	M3 - M12	36.0	74.0	7.5	7.5
DV50-TB2-098M	RC2/RS2	M8 - M20	53.0	98.0	12.5	12.5
DV50-TB3-159M	RC3/RS3	M14 - M33	78.0	159.0	20.0	20.0



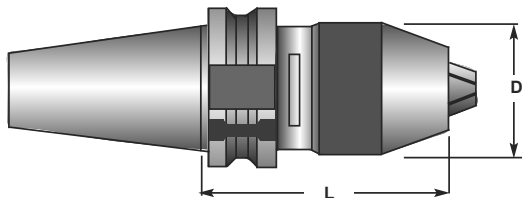
DIN69871/A Bilz Type Tap Heads (Solid)

CODE	Collet	Range	D	L
DV40-STB1-072M	RC1/RS1	M3 - M12	32.0	72.0
DV40-STB2-091M	RC2/RS2	M8 - M20	50.0	91.0
DV50-STB1-072M	RC1/RS1	M3 - M12	32.0	71.0
DV50-STB2-091M	RC2/RS2	M8 - M20	50.0	91.0
DV50-STB3-118M	RC3/RS3	M14 - M33	72.0	118.0



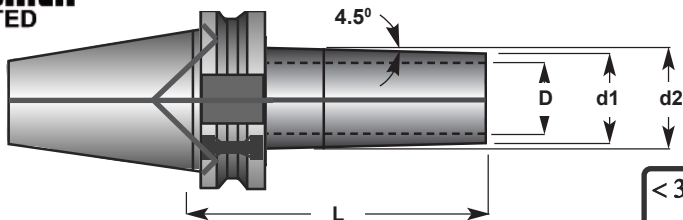
DIN698761/A Integral Drill Chucks - Keyless

CODE	Taper	Range	D	L
A 100 4130 240 (Albrecht)	DV40	1.0 - 13.0	50.0	86.0
DV40 DC13 096M	DV40	1.0 - 13.0	50.0	96.0



DIN69871/A Integral Drill Chuck - Keyless

CODE	Taper	D	L	Thread
A 100 4130 240	DV40	50.0	86.0	M16

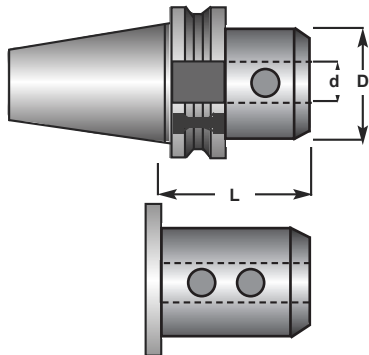


DIN69871AD/B Heat Shrink Holders

CODE	D	d1	d2	L
DV40B-TS03-080	3.0	9.0	18.00	80.0
DV40B-TS03-160	3.0	9.0	22.0	160.0
DV40B-TS04-080	4.0	10.0	19.0	80.0
DV40B-TS04-160	4.0	10.0	22.0	160.0
DV40B-TS05-080	5.0	11.0	20.0	80.0
DV40B-TS05-160	5.0	11.0	22.0	160.0
DV40B-TT06-080	6.0	20.0	27.0	80.0
DV40B-TT06-120	6.0	20.0	27.0	120.0
DV40B-TT06-160	6.0	20.0	27.0	160.0
DV40B-TT08-080	8.0	20.0	27.0	80.0
DV40B-TT08-120	8.0	20.0	27.0	120.0
DV40B-TT08-160	8.0	20.0	27.0	160.0
DV40B-TT10-080	10.0	24.0	32.0	80.0
DV40B-TT10-120	10.0	24.0	32.0	120.0
DV40B-TT10-160	10.0	24.0	32.0	160.0
DV40B-TT12-080	23.0	24.0	32.0	80.0
DV40B-TT12-120	12.0	24.0	32.0	120.0
DV40B-TT12-160	12.0	24.0	32.0	160.0

DIN69871AD/B Heat Shrink Holders

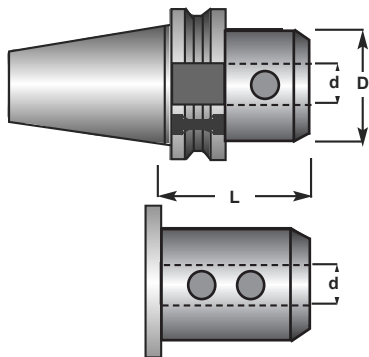
CODE	D	d1	d2	L
DV40B-TT14-080	14.0	27.0	34.0	80.0
DV40B-TT14-120	14.0	27.0	34.0	120.0
DV40B-TT14-160	14.0	27.0	34.0	160.0
DV40B-TT16-080	16.0	27.0	34.0	80.0
DV40B-TT16-120	16.0	27.0	34.0	120.0
DV40B-TT16-160	16.0	27.0	34.0	160.0
DV40B-TT18-080	18.0	33.0	42.0	80.0
DV40B-TT18-120	18.0	33.0	42.0	120.0
DV40B-TT18-160	18.0	33.0	42.0	160.0
DV40B-TT20-080	20.0	33.0	42.0	80.0
DV40B-TT20-120	20.0	33.0	42.0	120.0
DV40B-TT20-160	20.0	33.0	42.0	160.0
DV40B-TT25-100	25.0	44.0	53.0	100.0
DV40B-TT25-160	25.0	44.0	53.0	160.0
DV40B-TT32-100	32.0	44.0	53.0	100.0



When d = 25, 32, 40 & 50mm - 2 Lock Screws

DIN69871/A Endmill Adaptors - Standard Gauge Length

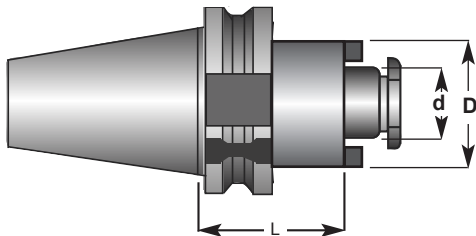
CODE	d	D	L
DV40-EM06-050M	6.0	25.0	50.0
DV40-EM08-050M	8.0	28.0	50.0
DV40-EM10-050M	10.0	35.0	50.0
DV40-EM12-050M	12.0	42.0	50.0
DV40-EM14-050M	14.0	44.0	50.0
DV40-EM16-063M	16.0	48.0	63.0
DV40-EM18-063M	18.0	50.0	63.0
DV40-EM20-063M	20.0	52.0	63.0
DV40-EM25-100M	25.0	65.0	100.0
DV40-EM32-100M	32.0	72.0	100.0
DV40-EM40-120M	40.0	80.0	120.0
DV50-EM06-063M	6.0	25.0	63.0
DV50-EM08-063M	8.0	28.0	63.0
DV50-EM10-063M	10.0	35.0	63.0
DV50-EM12-063M	12.0	42.0	63.0
DV50-EM14-063M	14.0	44.0	63.0
DV50-EM16-063M	16.0	48.0	63.0
DV50-EM18-063M	18.0	50.0	63.0
DV50-EM20-063M	20.0	52.0	63.0
DV50-EM25-080M	25.0	65.0	80.0
DV50-EM32-100M	32.0	72.0	100.0
DV50-EM40-110M	40.0	80.0	110.0
DV50-EM50-120M	50.0	97.0	120.0



When $d = 25, 32, 40$ & 50mm - 2 Lock Screws

DIN69871/A Endmill Adaptors Extended Gauge Length

CODE	d	D	L
DV40-EM06-100M	6.0	25.0	100.0
DV40-EM08-100M	8.0	28.0	100.0
DV40-EM10-100M	10.0	35.0	100.0
DV40-EM12-100M	12.0	42.0	100.0
DV40-EM14-100M	14.0	44.0	100.0
DV40-EM16-100M	16.0	48.0	100.0
DV40-EM18-100M	18.0	50.0	100.0
DV40-EM20-100M	20.0	52.0	100.0
DV40-EM06-160M	6.0	25.0	160.0
DV40-EM08-160M	8.0	28.0	160.0
DV40-EM10-160M	10.0	35.0	160.0
DV40-EM12-160M	12.0	42.0	160.0
DV40-EM14-160M	14.0	44.0	160.0
DV40-EM16-160M	16.0	48.0	160.0
DV40-EM20-160M	20.0	52.0	160.0
DV40-EM25-160M	25.0	65.0	160.0
DV40-EM32-160M	32.0	72.0	160.0

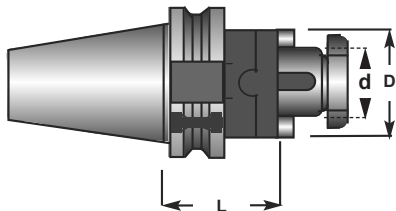


DIN69871/A Shellmill Adaptors - Standard

CODE	d	D	L	Thread
DV40B-SMC22-035M	22.0	48.0	35.0	M16
DV40B-SMC27-035M	27.0	58.0	35.0	M16
DV40B-SMC32-050M	32.0	78.0	50.0	M16
DV40B-SMC40-050M	40.0	88.0	50.0	M16
DV50B-SM2C16-035M	16.0	38.0	35.0	M24
DV50B-SMC22-035M	22.0	48.0	35.0	M24
DV50B-SMC27-035M	27.0	58.0	35.0	M24
DV50B-SMC32-035M	32.0	78.0	35.0	M24
DV50B-SMC40-050M	40.0	88.0	50.0	M24

DIN69871/A Shellmill Adaptors - Extended

CODE	d	D	L	Thread
DV40B-SM2C16-100M	16.0	38.0	100.0	M16
DV40B-SMC22-100M	22.0	48.0	100.0	M16
DV40B-SMC22-150M	22.0	48.0	150.0	M16
DV40B-SMC27-100M	27.0	58.0	100.0	M16
DV40B-SMC27-150M	27.0	58.0	150.0	M16
DV50B-SM2C16-100M	16.0	38.0	100.0	M16
DV50B-SM2C16-150M	16.0	38.0	150.0	M16
DV50B-SMC22-100M	22.0	48.0	100.0	M24
DV50B-SMC22-150M	22.0	48.0	150.0	M24
DV50B-SMC27-100M	27.0	58.0	100.0	M24
DV50B-SMC27-150M	27.0	58.0	150.0	M24
DV50B-SMC32-100M	32.0	78.0	100.0	M24
DV50B-SMC32-150M	32.0	78.0	150.0	M24
DV50B-SMC40-100M	40.0	88.0	100.0	M24
DV50B-SMC40-150M	40.0	88.0	150.0	M24

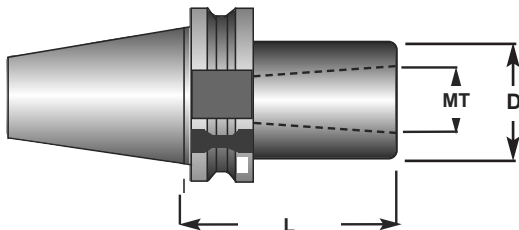


DIN69871/A Combi Shellmill Adaptors Standard Gauge Length

CODE	d	D	L
DV40-CS16-055M	16.0	32.0	55.0
DV40-CS22-055M	22.0	40.0	55.0
DV40-CS27-055M	27.0	48.0	55.0
DV40-CS32-060M	32.0	58.0	60.0
DV40-CS40-060M	40.0	70.0	60.0
DV50-CS16-055M	16.0	32.0	55.0
DV50-CS22-055M	22.0	40.0	55.0
DV50-CS27-055M	27.0	48.0	55.0
DV50-CS32-055M	32.0	58.0	55.0
DV50-CS40-055M	40.0	70.0	55.0

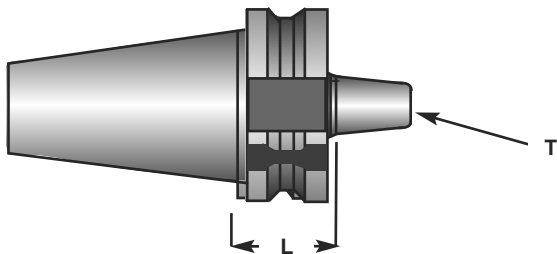
DIN69871/A Combi Shellmill Adaptors Extended Gauge Length

CODE	d	D	L
DV40-CS16-100M	16.0	32.0	100.0
DC40-CS22-100M	22.0	40.0	100.0
DV40-CS22-160M	22.0	40.0	160.0
DV40-CS27-100M	27.0	48.8	100.0
DV40-CS27-160M	27.0	48.0	160.0
DV40-CS32-100M	32.0	58.0	100.0
DV40-CS40-100M	40.0	70.0	100.0
DV50-CS16-100M	16.0	32.0	100.0
DV50-CS22-100M	22.0	40.0	100.0
DV50-CS22-150M	22.0	40.0	150.0
DV50-CS27-100M	27.0	48.0	100.0
DV50-CS27-150M	27.0	48.0	150.0
DV50-CS32-100M	32.0	58.0	100.0
DV50-CS32-150M	32.0	58.0	150.0
DV50-CS40-100M	40.0	70.0	100.0
DV50-CS40-150M	40.0	70.0	150.0



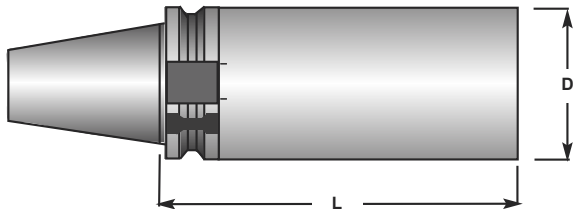
DIN69871/A Morse Taper Adaptors

CODE	MT	D	L
DV40-MT1-050M	1	25.0	50.0
DV40-MT2-050M	2	32.0	50.0
DV40-MT3-070M	3	40.0	70.0
DV40-MT4-095M	4	48.0	95.0
DV50-MT1-045M	1	25.0	45.0
DV50-MT2-060M	2	32.0	60.0
DV50-MT3-065M	3	40.0	65.0
DV50-MT4-095M	4	48.0	95.0
DV50-MT5-105M	5	63.0	105.0



DIN69871/A Drill Chuck Arbors - Jacobs & DIN238

CODE	T	L
DV40-B12-017M	B12	17.0
DV40-B16-017M	B16	17.0
DV40-B18-035M	B18	35.0
DV40-JT6-039M	JT6	39.0
DV50-B16-040M	B16	40.0
DV50-B18-026M	B18	26.0



DIN69871/A Greenstock Blanks

CODE	D	L
DV40-BB063-280M	63.0	280.0
DV50-BB104-350M	104.0	350.0